

PRODUCT DATA SHEET No 0027/28/29/22

Product name: **ZK, ZKz rigid elbows, ZPS rigid connection fittings**

Manufacturer: **ELEKTROPLAST SP. Z O.O 32-431 STRÓŻA 1015**

Reference documents:	PN-EN61386-1:2011/A1:2019 ; PN-EN61386-21:2005/A11:2011E ; NZ EL-PL 004/4/2015 ; PN-EN 13501-1:2019 ; LVD Directive 2014/35/EU ; Directive 2011/65/EU
Intended use:	RSV, RCV connection pipe fittings comprising of : ZK rigid elbows fittings. (90°), Rigid elbows ZKz180°), fitting (insertion of conductors and/or cables into ZLz instrumentation boxes), ZPS rigid elbow, connection. intended for connecting connection pipes in a straight line and at an angle in the system of connection pipes intended for the protection and routing of insulated conductors or cables in external electrical installations - earth and overhead power connections.
Product characteristics:	<ul style="list-style-type: none"> • ZK, ZKz rigid connector, ZPS fitting, self-extinguishing • Material: Rigid PVC • Design: ZK single socket and double socket, ZKz single socket, ZPS double socket • Reaction to fire: B-s2, d0 • UV-resistant for temperate climates • Colour black
Compression resistance - ZK, ZKz, ZPS	1250N
Chemical resistance:	Resistant to alcohols, aromatic-free petrol, glycol, hydrochloric acid (100% at 60°C) , nitric acid (10% at 60°C), sulphuric acid (96% at 20°C), diesel fuel at 20°C, hydrogen sulphide at 60°C.
Temperature range:(transport, installation, operation)	(-25°C)to (+60°C), operating range without dynamic load (-45°C)
External diameters [mm]:	32;50;63;75;110

Catalogue number	Ø ext.	Number of pcs/ packaging.	Catalogue number	Ø ext.	Number of pcs/ packaging.
ZK (90°) single-socket			ZK (90°) double-socket		
06.78	32	1	06.83	32	1
06.79	50	1	06.84	50	1
06.80	63	1	06.85	63	1
06.81	75	1	06.86	75	1
06.82	110	1	06.87	110	1



Fig.1 ZK single-socket fitting

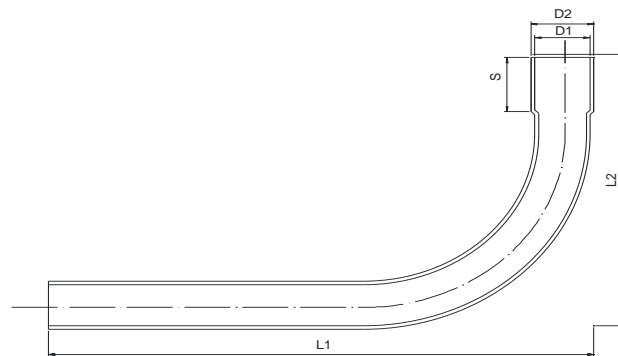
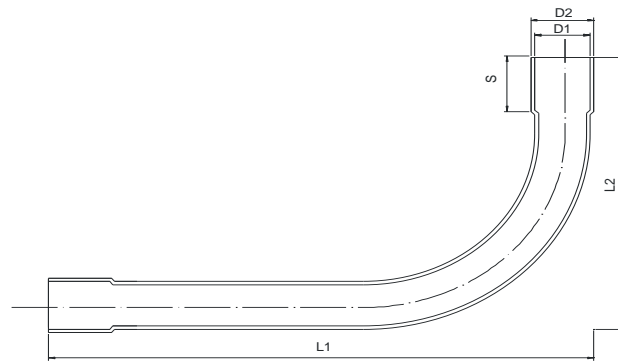


Fig.2 ZK double-socket fitting

Table 7.

PVC ZK (connection fitting) for RCV and RSV hot-moulded (dimensions in mm)

No	Elbow - ZK(90)° single-socket	"D1" _{tol. 0^(-0,5;+0,4)} / "D2" _{tol. 0^(-0,2;+0,3)}	L1 _{tol. ±5}	L2 _{tol. ±5}	S _{0tol. ±5}
1.	32	31,9/37,2	160	160	37
2.	50	49,9/56	222	185	50
3.	63	63/70,3	305	280	66
4.	75	74,9/84	315	305	67
5.	110	In preparation for production 112/122	500	500	85
No	Elbow - ZK(90)° Double-socket	"D1" _{tol. 0^(-0,5;+0,4)} / "D2" _{tol. 0^(-0,2;+0,3)}	L1 _{tol. ±5}	L2 _{tol. ±5}	S _{0tol. ±5}
1.	32	31,9/37,2	163	153	37
2.	50	49,9/56	217	187	50
3.	63	63/70,3	300	280	66
4.	75	74,9/84	320	300	67
5.	110	In preparation for production112/122	500	480	85



Elbow - ZKz (180°) single-socket					
Catalogue number	Ø ext.	Number of pcs./package.	Catalogue no.	Ø ext.	Number of pcs./packaging.
06.89	32	1	06.92	75	1
06.90	50	1	06.93	110	1
06.91	63	1			



Fig. 3.4 Zkz 180° single-socket conenction fitting

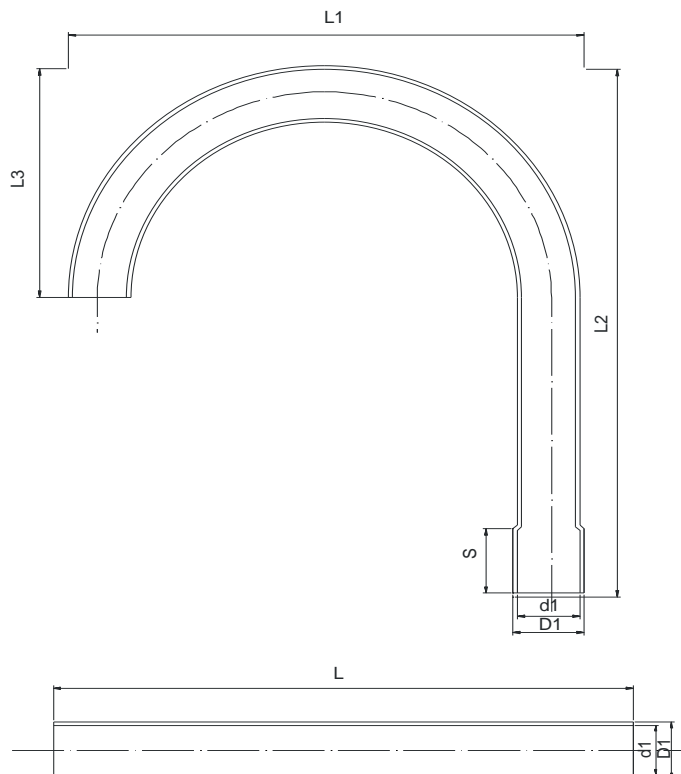


Fig. 5. Zkz 180° ø110 jednokielichowe przyłączeniowe

Table 7.

PVC connection fittings for RCV and RSV, hot-moulded (dimensions in mm)

No.	Elbow - ZKz (180°) single-socket	"d1" _{tol. 0⁻ 0,2;+0,3} / "D1" _{tol. 0⁻ 0,2;+0,3}	L1 _{tol.0⁺²}	L2 _{tol.0⁻⁵}	L3 _{tol.±5}	S _{0^{tol.+2}}	Bending radius (mm)
6.	32	31,9/37,2	230	230	110	37	95
7.	50	49,9/56	245	245	120	50	99
8.	63	63/70,3	310	290	150	66	110
9.	75	74,9/84	330	330	170	67	123
10.	110	109,8/119	In preparation for production			95	300



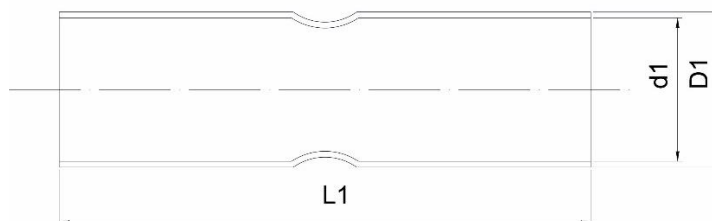
Catalogue no.	Ø ext.	Number of pcs./package.
ZPS connection fitting		
06.72	32	1
06.73	50	1
06.74	63	1
06.75	75	1
06.76	110	1



Fig.7,8 ZPS connection fitting

Table 4.
Hot-moulded PVC ZPS (connection fitting) (dimensions in mm)

No	ZPS	"d 1" _{tol.}	"D 2" _{tol.} 0 ^{±0,5}	L1 _{tol.} ^{±5}	K _{tol.} ^{±2}
1.	32	32,1^(-0,2)	37,2	113,6	10
2.	50	50,1^(-0,3)	55,5	115	10
3.	63	63,1^(-0,4)	70,2	155	12
4.	75	75,1^(-0,5)	82,1	158	15
5.	110	110,3^(-0,5)	119	200	20



The above information is based on the current state of knowledge and applies to the product as manufactured by the manufacturer: Elektroplast Spółka z ograniczoną odpowiedzialnością.

In the case of use of the product for purposes other than those stated by the manufacturer, responsibility for the safety, duration and quality of use of the products falls on the user. **The product data sheet was prepared by: Stanisław Klakla - Production Director**

ELEKTROPLAST
Spółka z ograniczoną odpowiedzialnością
DYREKTOR PRODUKCJI
Stanisław Klakla